



CREATING A CLEANER, SAFER, HEALTHIER WORLD.

SOLUTIONS



INDUSTRIAL SWEEPERS FOR MINING AND HEAVY INDUSTRY

IMPROVE SURROUNDING ENVIRONMENT WITH MAXIMUM DUST CONTROL

- Reduce airborne dust with innovative sweeping and filtration systems
- Control dry dust in the harshest, most congested sweeping environments
- Maximize equipment uptime with reliable, factory-trained service network and local parts inventory

RELIABLE AND CONSISTENT PERFORMANCE IN DEMANDING ENVIRONMENTS



Sentinel®



800



S30

TENNANT ADVANTAGES FOR TOUGH APPLICATIONS

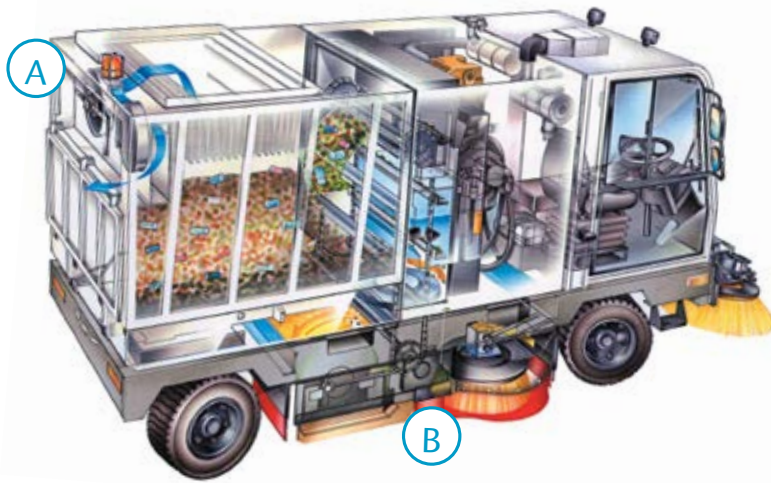
Controlling dust and debris in mining and other heavy industries is a daily challenge. Tennant has the answer with a full-line of industrial sweeping solutions to help you:

- Decrease equipment maintenance costs and cleaning expenses and increase worker safety by reducing airborne dust and debris
- Maintain air quality for the work site and neighboring areas, reducing risk of regulatory fines
- Maximize uptime with factory-trained technicians and OEM parts
- Reduce raw material loss and achieve effective cleaning performance
- Clean efficiently with highly maneuverable machines

RESPONSIVE MACHINES WITH POWERFUL FEATURES

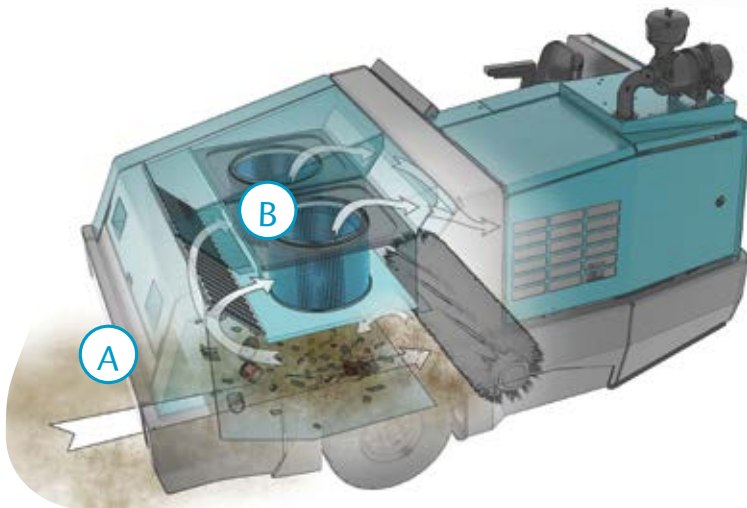
Customers in heavy industries appreciate the productivity of all three models. High hopper volumes, high weight capacities, and automated dumping capabilities allow one operator to perform the entire cleaning process efficiently and safely.

SWEEPING SYSTEMS



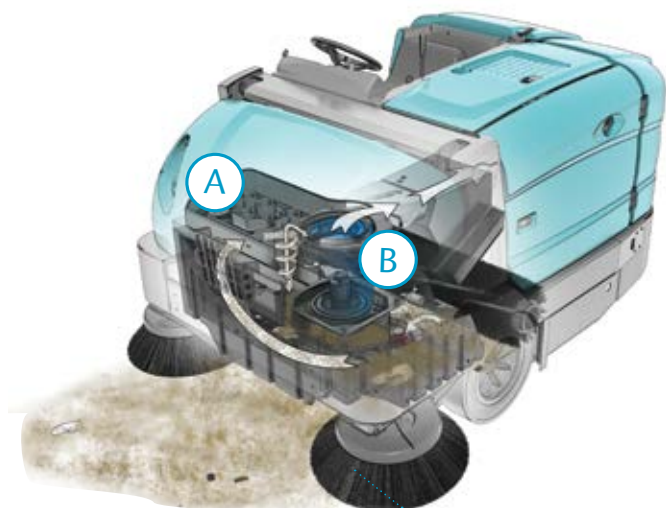
SENTINEL® HEAVY-DUTY OUTDOOR SWEEPER

- A** Optional 9.5 ft / 2.9 m multi-level dump and hopper, with overload indicator, enables you to easily empty debris
- B** Dust control system meets PM-10 environmental requirements with a unique twin-vacuum design



800 LARGE, INDUSTRIAL RIDER SWEEPER

- A** Multi-level 0.11049 indump hopper empties debris into containers as high as 6 ft / 1.8 m. The large capacity allows for more continuous cleaning time
- B** Reduce visible airborne dust with a quad filtering system that includes debris deflector, Perma-filter™, lint trap and twin-cylinder filters

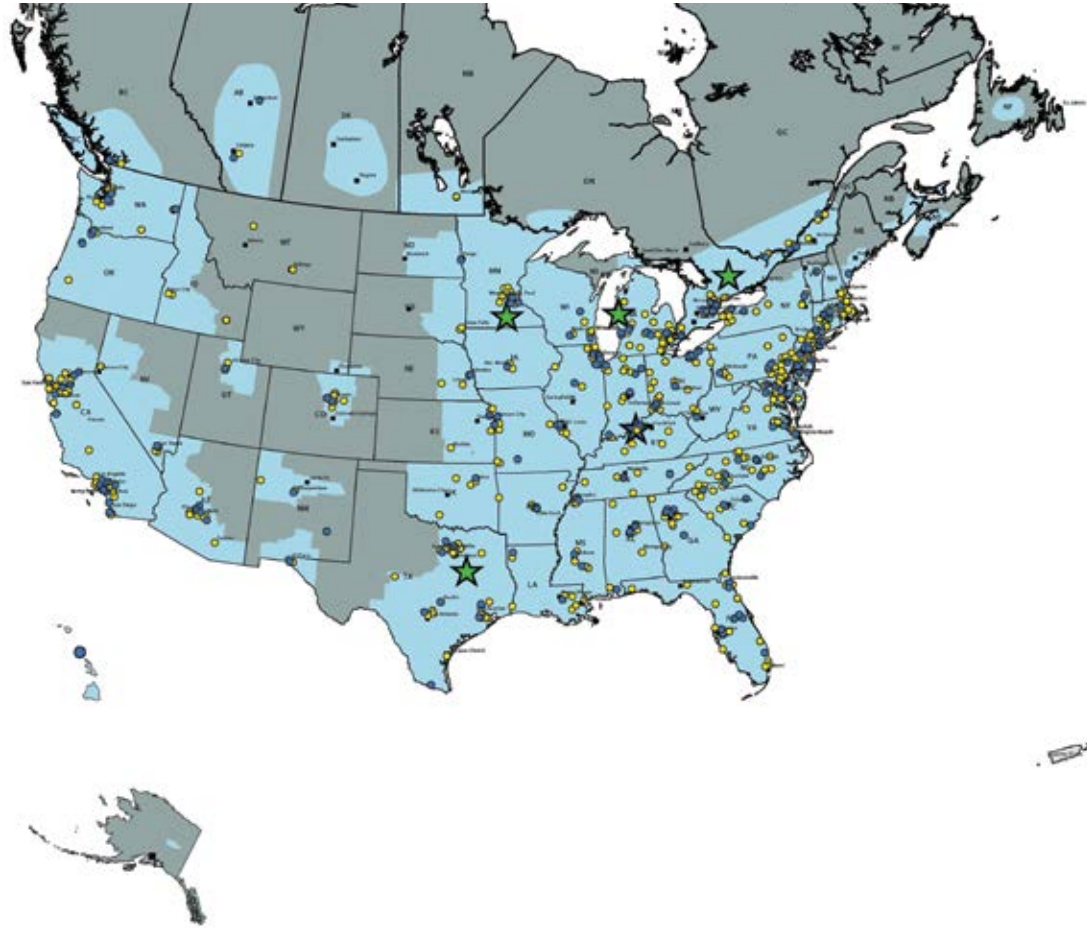


S30 MIDSIZE, INDUSTRIAL RIDER SWEEPER

- A** Ensure operator safety by alerting and shutting down sweeping functions if increases in hopper temperature are sensed by Thermo-Sentry™
- B** SweepMax® Plus provides cyconic filtration and dry dust control for sweeping all floor surfaces

UNITED STATES AND CANADA SERVICE AND SALES NETWORK

- Reduce rework, labor and safety costs by using only TennantTrue parts and service.
- Ensure optimal cleaning performance by selecting a TennantTrue Service program provided by a network of over 400 factory-trained Tennant service representatives.
- Improve uptime by leveraging TennantTrue parts and service.
- Simplify budgeting by bundling TennantTrue service plans, including parts, into the purchase or financing of your machine.
- Manage your cleaning program with real-time machine data from Tennant's IRIS™ technology.



Choose GE Capital or U.S. Bancorp,
our leasing providers, for simple, quick
financing with flexible upgrade options.

- Tennant Factory-Trained Service Coverage
- Tennant Service Centers
- Parts Distribution Centers
- Tennant Extended Service Network
- Tennant Direct Sales Representatives
- Tennant Direct Service Representatives

SEEING IS BELIEVING

For a demonstration or additional information,
call +1.800.553.8033 or email info@tennantco.com

Tennant
701 North Lilac Drive
Minneapolis, MN 55422 USA

USA/Canada: +1.800.553.8033
Quebec: +1.800.361.9050
Overseas: +1.763.540.1315