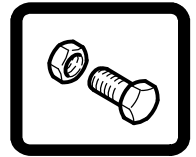




OS | 3

On-Site Generator Parts Manual



CE

Global



For latest parts manual or other
Operator language manual, visit:

www.tennantco.com/manuals



DM20047
Rev. 05 (11-2016)



Ref	Part No.	Serial Number	Description	Qty.
1	82681	(ORB3000000—) Bracket Wldt, Lpg Mount	1
2	63810	(ORB3000000—) Latch Assy, Lpg Tank Mtg, W/Nut	4
3	51839	(ORB3000000—) Nut Adjustable, Lpg Tank Mtg	2
4	49263	(ORB3000000—) Tie, Cable	3
5	82556	(ORB3000000—ORB301039)	Bracket, Vaporizer	1
6	54930	(ORB3000000—) Vaporizer, LPG	1

HOW TO ORDER PARTS – See diagram above

Only use TENNANT Company supplied or equivalent parts. Parts and supplies may be ordered online, by phone, by fax or by mail.

Follow the steps below to ensure prompt delivery.

1. **(A)** Identify the machine model.
2. **(B)** Identify the machine serial number from the data plate.
3. **(C)** Ensure the proper serial number is used from the parts list.
4. Identify the part number and quantity. Do not order by page or reference numbers.
5. Provide your name, company name, customer ID number, billing and shipping address, phone number and purchase order number.
6. Provide detail shipping instructions.

(D) ▽ – Identifies an assembly
 ▲ – Identifies parts included in assembly

EN

Please fill out at time of installation for future reference.

Model No. – _____

Serial No. – _____

Machine Options – _____

Sales Rep. – _____

Sales Rep. phone no. – _____

Customer ID Number – _____

Installation Date – _____

Orbio Technologies
 701 North Lilac Drive
 Minneapolis, MN 55440
 Phone: (800) 553-8033 or (763) 513-2850
 www.tennantco.com

Specifications and parts are subject to change without notice.
 Original Instructions, copyright © 2014 – 2016 Orbio Technologies from TENNANT Company, Printed in U.S.A.

Table of Contents

Contents	Page
Fig. 1 – Dispenser and Manifold Group	4
Fig. 2 – Electrical Board and Power Supply Group .	6
Fig. 3 – Water Softener Group	8
Fig. 4 – Connector and Tubes Group	10
Fig. 5 – Satellite Group	12
Fig. 6 – Documentation Group	14

Fig. 1 – Dispenser and Manifold Group

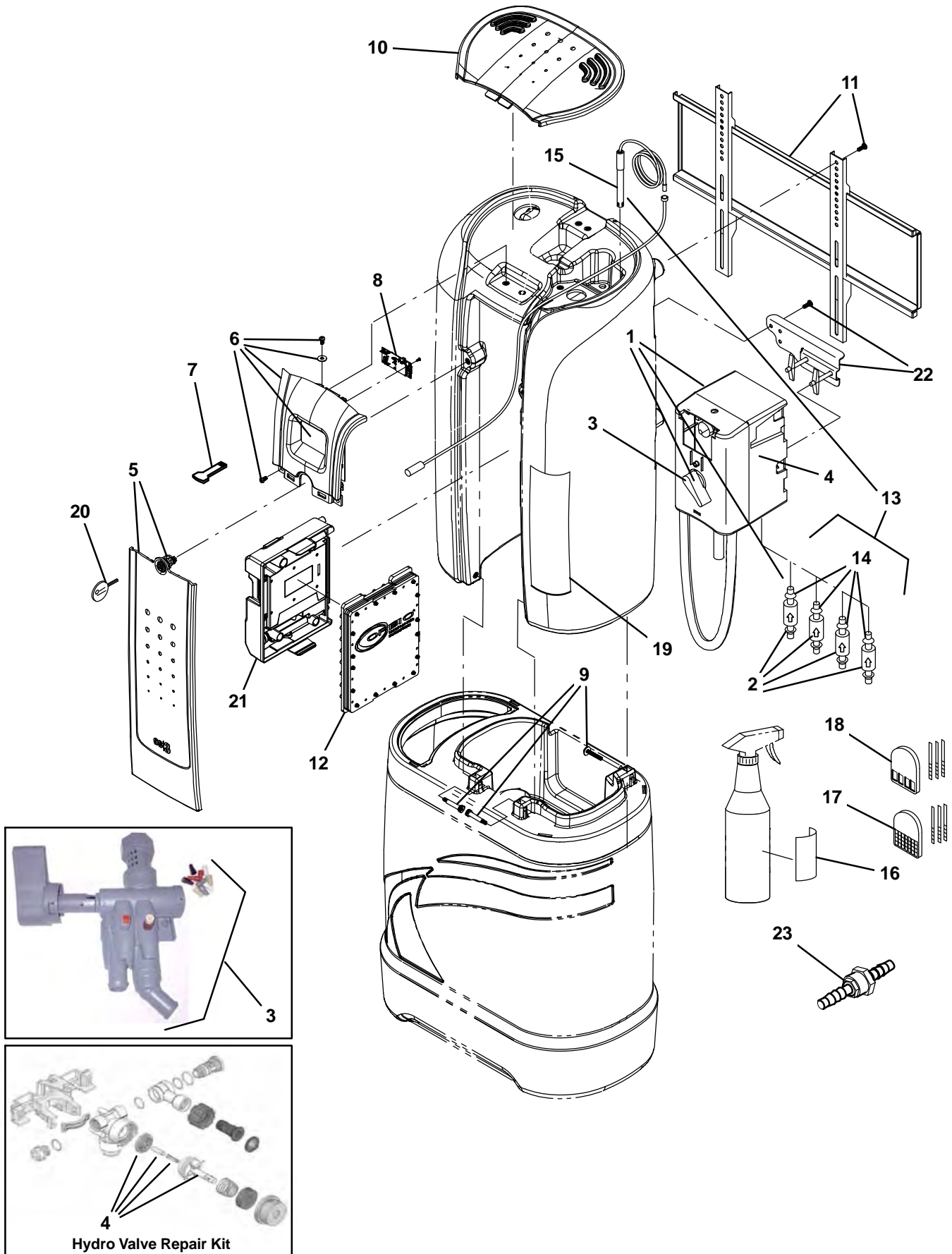


Fig. 1 – Dispenser and Manifold Group

Ref.	Part No.	Serial Number	Description	Qty.
▽	1	AS20031	(ORB3000000–) Dispenser, Os3	1
▲	2	PV20026	(ORB3000000–) Check Valve, In–Line, □□Barb, Pp, Viton	1
▲	3	AS20135	(ORB3000000–) Dispenser Valve, Selector and Knob Assy	1
▲	4	AS20138	(ORB3000000–) Hydro Valve Parts Kit	1
	5	AS20066	(ORB3000000–) Service Kit, Front Access Panel, Os3	1
▽	6	AS20067*	(ORB3000000–) Service Kit, Interface Panel, Os3	1
▲		AS20136	(ORB3000000–) OS3 Touchscreen	1
	7	EC20086	(ORB3000000–) Os3 USB Memory Key, 2Gb Fat 16 Format	1
	8	AS20069	(ORB3000000–) Service Kit, Telemetry Modem	1
	9	AS20071	(ORB3000000–) Service Kit, Pedestal Hardware, Os3	1
	10	HC20014	(ORB3000000–) Top Cover, Os3 Generator	1
	11	HF20047	(ORB3000000–) Bracket, Tv Wall Mount, Os3	1
	12	AS20041	(ORB3000000–) Kit, E–Cell Replacement, Os3	1
▽	13	AS20052	(ORB3000000–) Kit, Pm Probe Replacement, Os3 (North America)	1
▲	14	PV20026	(ORB3000000–) Check Valve, In–Line, □□Barb, Pp, Viton	1
▲	15		(ORB3000000–) PH Probe, Os3 (North America) (Not Sold Separately)	1
	15	EC20071	(ORB3000000–) PH Probe, Os3 (Non–North America)	1
	16	DM20005	(ORB3000000–) Labels, MSC Btl, Pkg=100 En/Fr/Sp (North America)	1
	16	DM20039	(ORB3000000–) Labels, Mm200, 50–Pack (US) (North America)	1
	16	DM20030	(ORB3000000–) Label, Bottle, MSC [EN, DE, FR, NL, Pkg=50] (Europe)	1
	16	DM20031	(ORB3000000–) Label, Bottle, MSC [ES, IT, PT, Pkg=50] (Europe)	1
	16	DM20032	(ORB3000000–) Label, Bottle, MSC [SE, NO, FI, DK, Pkg = 50] (Europe)	1
	16	DM20067	(ORB3000000–) Label, Bottle, MM200, EN (Europe)	1
	16	DM20068	(ORB3000000–) Label, Bottle, MM200, FR (Europe)	1
	16	DM20069	(ORB3000000–) Label, Bottle, MM200, DE (Europe)	1
	16	DM20070	(ORB3000000–) Label, Bottle, MM200, NL (Europe)	1
	17	PA20013	(ORB3000000–) PH Test Paper, 0–13, 15 Ft Roll, Orbio Custom	1
	18	PA20026	(ORB3000000–) Chlorine Test Papers	1
	19	HL20039	(ORB3000000–) Label, MultiMicro Directions For Use, (USA)	1
	19	HL20048	(ORB3000000–) Label, MultiMicro Directions For Use, Fr (Canada)	1
	20	CA20002	(ORB3000000–) Hex Key, Orbio, Os3	1
	21	AS20044	(ORB3000000–) Kit, Manifold Replacement, Os3	1
	22	AS20042	(ORB3000000–) Sub–Assembly, Dispenser Bracket & Hdwr	1
	23	AS20120	(ORB3000000–) Inline Strainer OS3	1

* NOTE:When replacing AS20067 order USB Memory key EC20086 (Ref. 7), unless you already have one.

Fig. 2 – Electrical Board and Power Supply Group

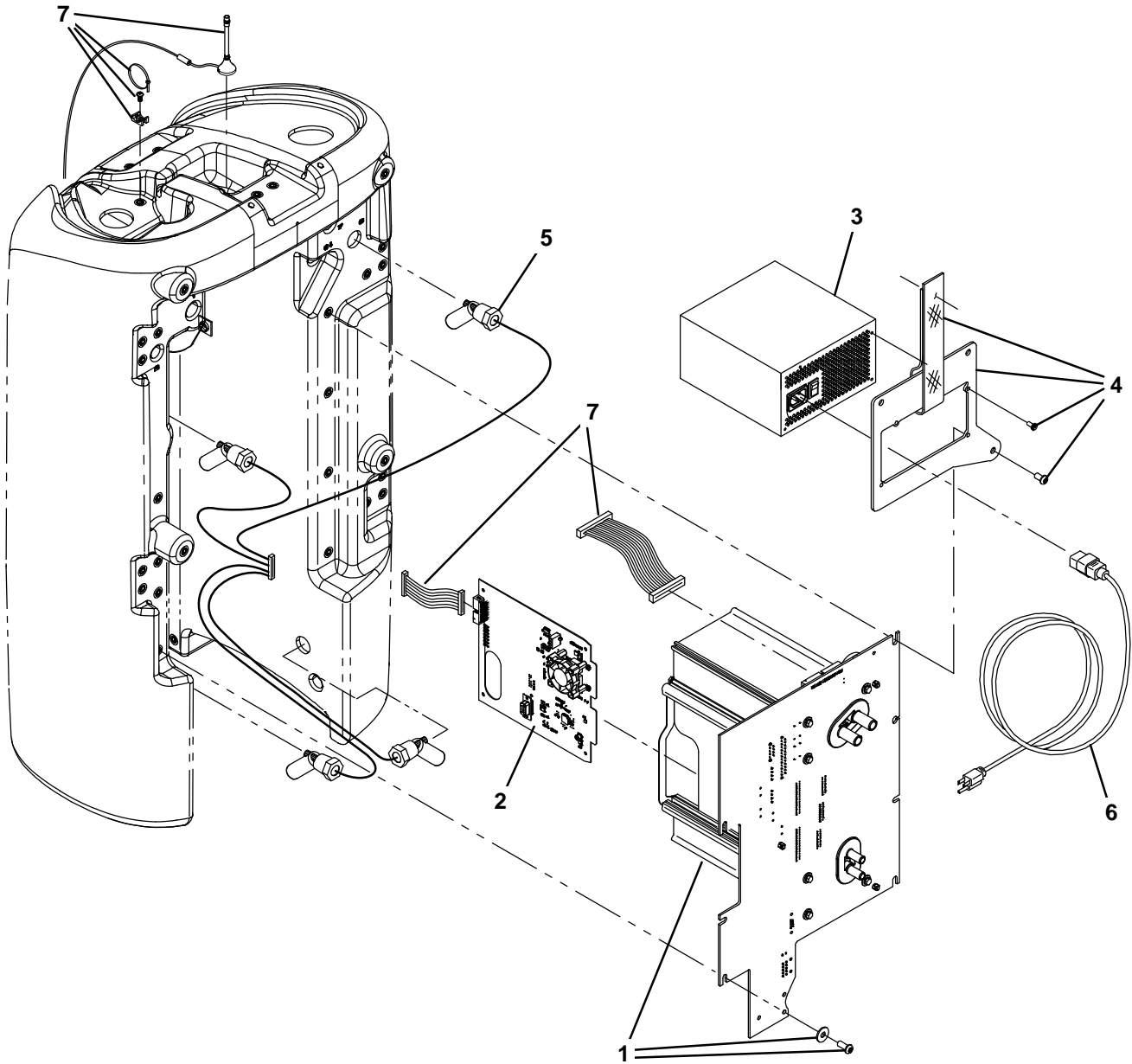


Fig. 2 - Electrical Board and Power Supply Group

Ref.	Part No.	Serial Number	Description	Qty.
1	AS20077	(ORB3000000-) Service Kit, Chassis, Os3	1
2	AS20078	(ORB3000000-) Service Kit, Power Pcb Replacement, Os3	1
3	AS20080	(ORB3000000-) Service Item, Power Supply, Os3	1
4	AS20081	(ORB3000000-) Service Kit, Power Supply Bracket, Os3	1
5	AS20091	(ORB3000000-) Service Kit, Level Sensors Assy, Os3	1
6	EW20008	(ORB3000000-) Ac Line Cord, 110v, 7.5 Ft., 16 Ga	1
6	1043746	(ORB3000000-) Cable, Charger Eu. (Europe)	1
6	1041716	(ORB3000000-) Cable, Charger Uk (United Kingdom)	1
7	AS20070	(ORB3000000-) Service Kit, Interface Wiring	1

Fig. 3 – Water Softener Group

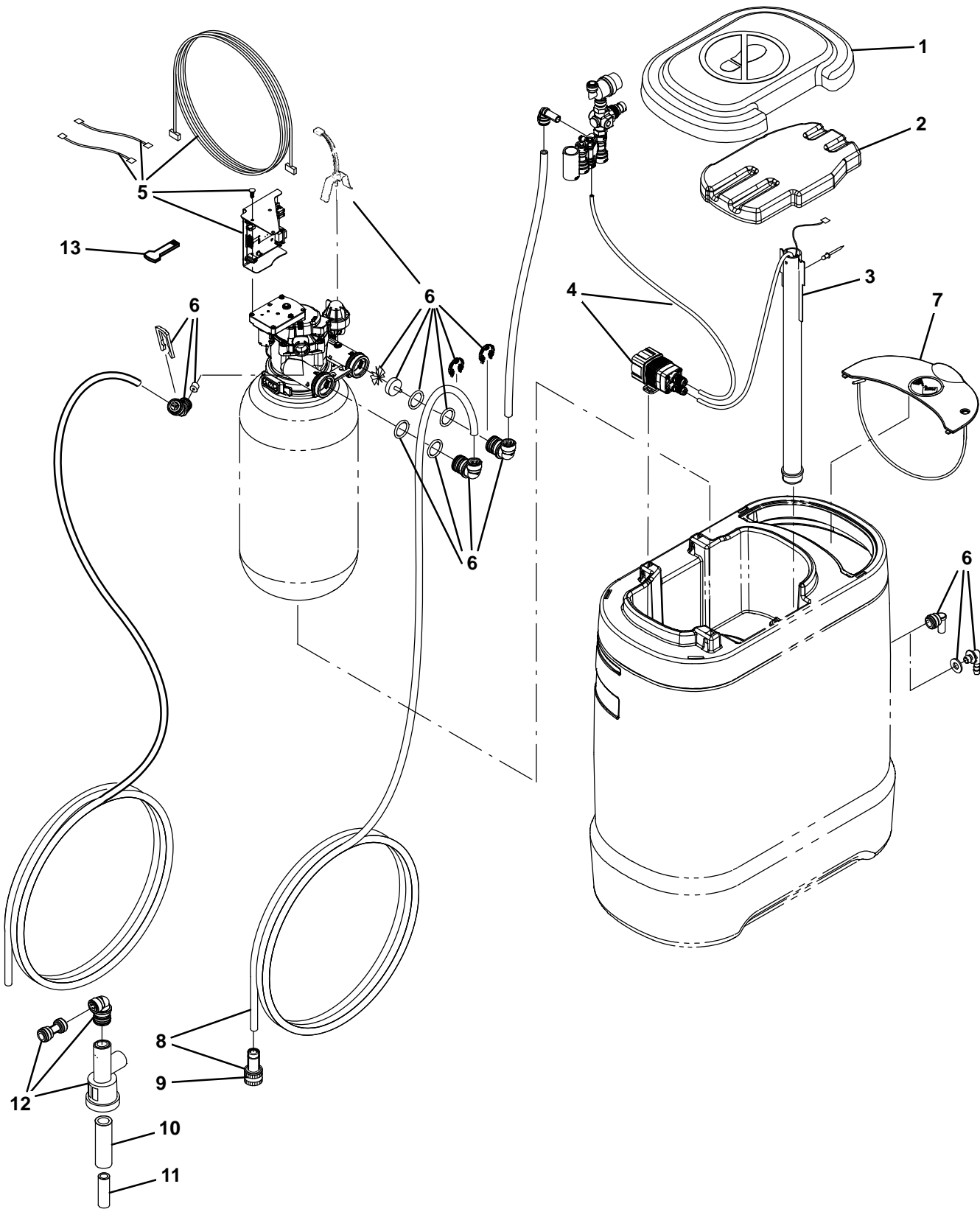


Fig. 3 – Water Softener Group

Ref.	Part No.	Serial Number	Description	Qty.
▽	AS20030	(ORB3000000–) Water Softener, OS3	1
▲	1 HC20016	(ORB3000000–) Cover, Water Softener	1
▲	2 HC20017	(ORB3000000–) Cover, Electronics, Softener	1
▲	3 AS20087	(ORB3000000–) Service Kit, Ws Brine Sensor, Os3	1
▲	4 AS20088	(ORB3000000–) Service Kit, Brine Pump, 24v, Os3	1
▲	5 AS20089*	(ORB3000000–) Service Kit, Ws Control And Wiring, Os3	1
▲	6 AS20086	(ORB3000000–) Service Kit, Ws Fittings & Switch Harness, Os3	1
▲	7 AS20085	(ORB3000000–) Service Kit, Salt Reservoir Cover	1
▽	8 AS20096	(ORB3000000–) Assy, Supply Line and Ght Adapter	1
▲	9 PS20025	(ORB3000000–) Adapter, Fgh 10 1/2 Ptc	1
▽	8 AS20099	(ORB3000000–) Assy, Supply Line and Ght Adapter (Europe)	1
▲	9 PF20123	(ORB3000000–) Adapter, 3/4 Bsp X 1/2 Ptc (Europe)	1
	10 PF20074	(ORB3000000–) Socket, Straight, 50Mm, Pvc, Glued (Europe)	1
	11 PF20075	(ORB3000000–) Ring, Reducer, 40/50 Mm, Pvc, Glued (Europe)	1
	12 AS20134	(ORB3000000–) Service Kit, Drain Adapter, Air Gap (Europe)	1
	13 EC20086	(ORB3000000–) Os3 USB Memory Key, 2Gb Fat 16 Format	1

* NOTE:When replacing AS20089 order USB Memory key EC20086 (Ref. 7), unless you already have one.

Fig. 4 – Connector and Tubes Group

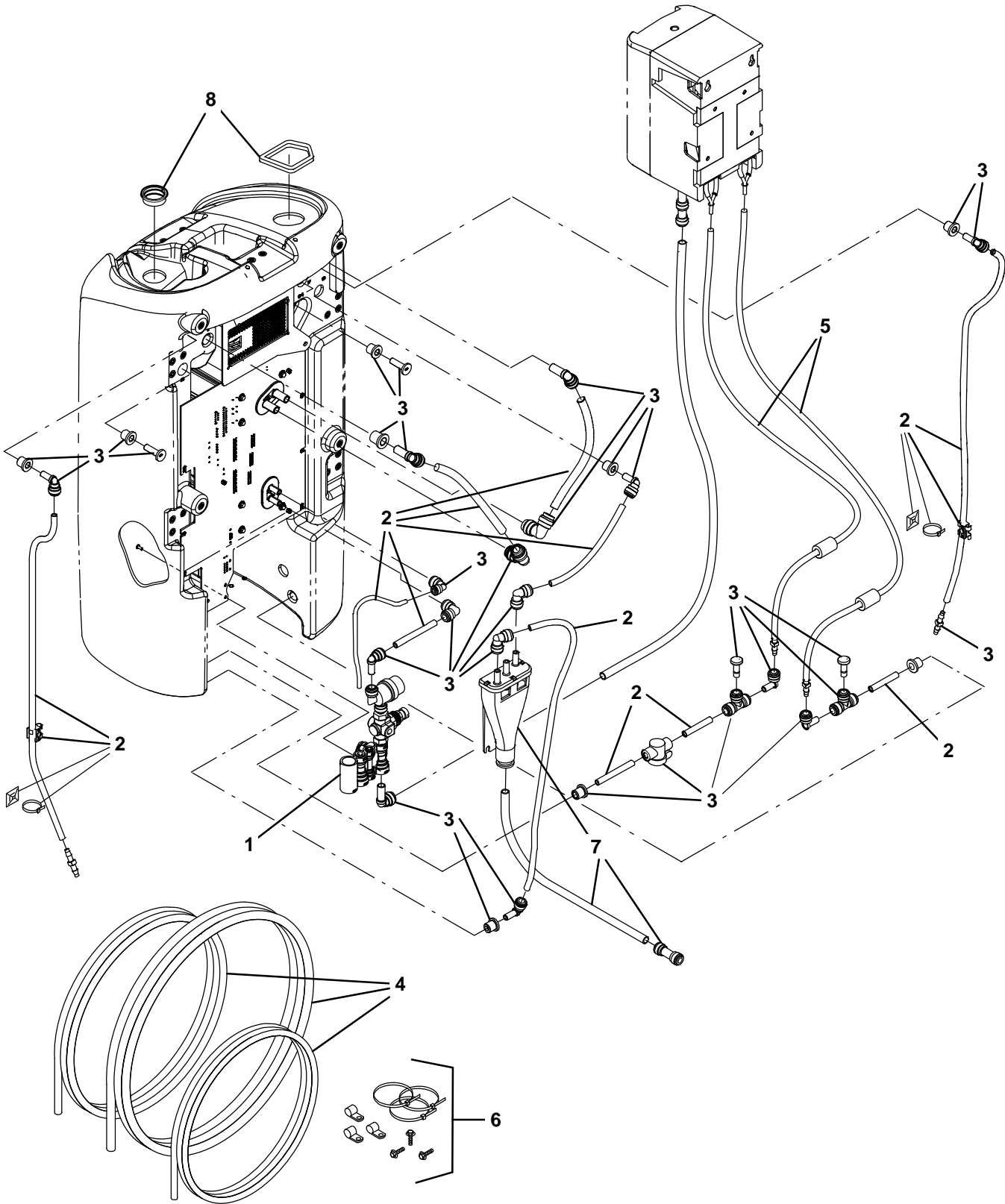


Fig. 4 – Connector and Tubes Group

Ref.	Part No.	Serial Number	Description	Qty.
1	AS20076	(ORB3000000–) Service Kit, Manifold And Regulator. Os3	1
2	AS20073	(ORB3000000–) Service Kit, Generator Tubing, Os3	1
3	AS20074	(ORB3000000–) Service Item, Fittings And Seals	1
4	AS20075	(ORB3000000–) Service Kit, Installation Tubing, Os3	1
5	AS20079	(ORB3000000–) Service Kit, Dispenser Lines, Os3	1
6	AS20082	(ORB3000000–) Service Kit, Tubing Clips, Os3	1
7	AS20072	(ORB3000000–) Service Kit, Air Gap Assembly	1
8	AS20133	(ORB3000000–) Assy, Vent Gasket and Cap, Os3	1

Fig. 5 - Satellite Group

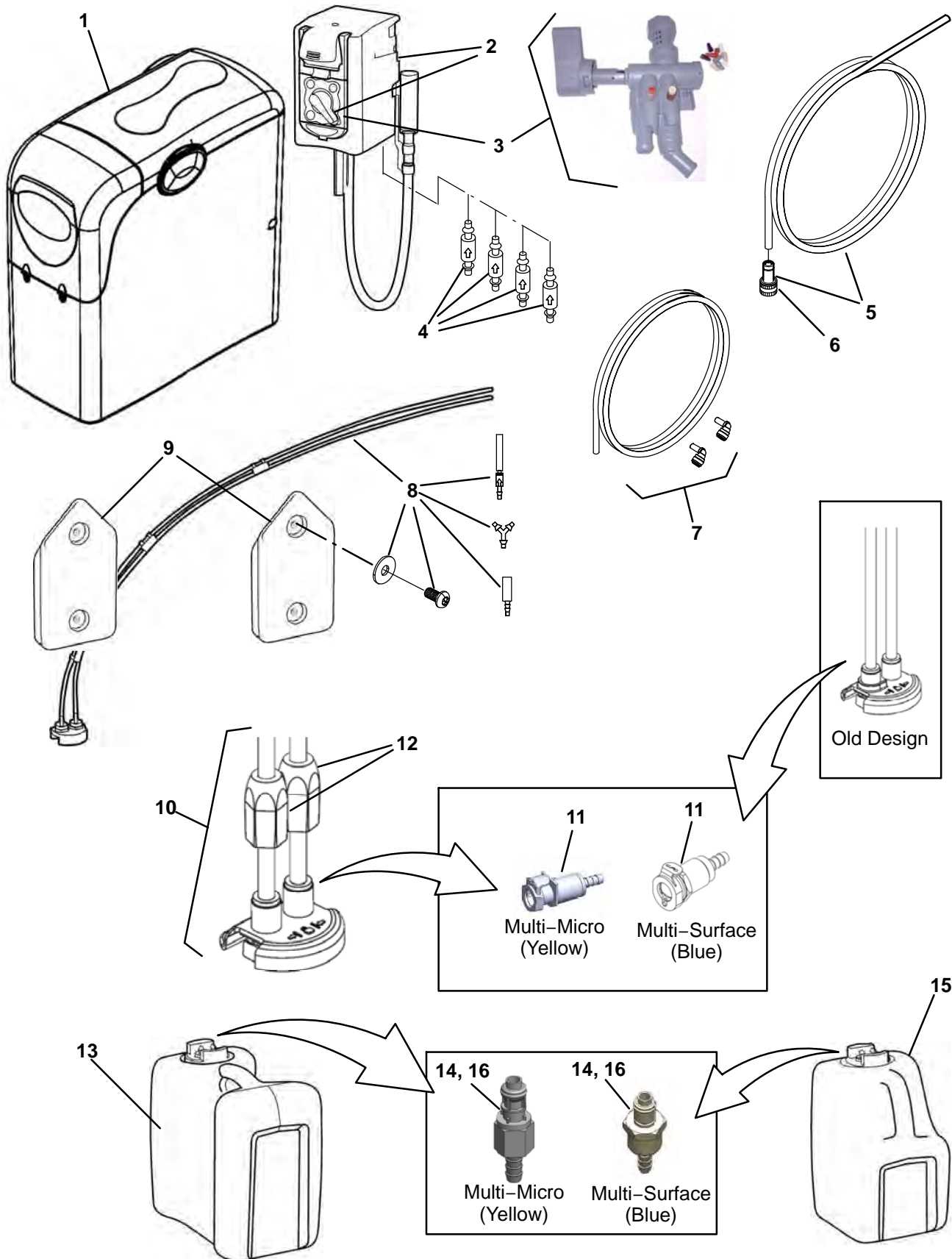


Fig. 5 – Satellite Group

Ref.	Part No.	Serial Number	Description	Qty.
	1	AS20051	(ORB4000000–) Water Softener, Satellite, Os3	1
▽	2	AS20031	(ORB4000000–) Dispenser, Os3	1
▲	3	AS20135	(ORB3000000–) Dispenser Valve, Selector and Knob Assy	1
▲	4	PV20026	(ORB3000000–) Check Valve, In–Line, □□Barb, Pp, Viton	1
▽	5	AS20096	(ORB4000000–) Assy, Supply Line and Ght Adapter	1
▲	6	PS20025	(ORB4000000–) Adapter, Fgh 10 1/2 Ptc	1
▽	5	AS20099	(ORB4000000–) Assy, Supply Line and Ght Adapter (Europe)	1
▲	6	PF20123	(ORB4000000–) Adapter, 3/4 Bsp X 1/2 Ptc (Europe)	1
	7	AS20064	(ORB4000000–) Water Softener Hook–Up Kit, Satellite	1

Multi–Micro (Yellow)

Ref.	Part No.	Serial Number	Description	Qty.
▽	8	AS20035	(ORB4000000–) Connection Kit, Yellow, Multi–Micro, Os3	1
▲	9	AS20113	(ORB4000000–) Kit, Wall Bracket, Os3, Sat (2 Brackets in Kit)	1
▲▽	10	AS20124	(ORB4000000–) Assy, Satellite Connection, MM, Os3	1
▲▲	11	PF20153	(ORB4000000–) Coupling, Body, □□Hose Barb	2
▲▲	12	FN20020	(ORB4000000–) Support Fitting, Black Valve Nut	2
▽	13	AS20047	(ORB4000000–) Transport Container, Yellow, Multi–Micro, Lg	1
▲	14	PF20154	(ORB4000000–) Valve Coupling, Insert, □□Hose Barb, Multi–Micro	2
▽	15	AS20048	(ORB4000000–) Transport Container, Yellow, Multi–Micro, Small	1
▲	16	PF20154	(ORB4000000–) Valve Coupling, Insert, □□Hose Barb, Multi–Micro	2
▽	15	AS20097	(ORB4000000–) Transport Container, Yellow, Multi–Micro, Small W/ Side Label (Europe)	1
▲	16	PF20154	(ORB4000000–) Valve Coupling, Insert, □□Hose Barb, Multi–Micro	2

Multi–Surface Cleaner (Blue)

Ref.	Part No.	Serial Number	Description	Qty.
▽	8	AS20036	(ORB4000000–) Connection Kit, Blue, Multi–Surface Cleaner, Os3	1
▲	9	AS20113	(ORB4000000–) Kit, Wall Bracket, Os3, Sat (2 Brackets in Kit)	1
▲▽	10	AS20106	(ORB4000000–) Assy, Satellite Connection, MSC, Os3	1
▲▲	11	PF20130	(ORB4000000–) Coupling, Body, □□Hose Barb	2
▲▲	12	FN20020	(ORB4000000–) Support Fitting, Black Valve Nut	2
▽	13	AS20049	(ORB4000000–) Transport Container, Blue, Multi–Surface Cleaner, Lg	1
▲	14	PF20131	(ORB4000000–) Valve Coupling, Insert, □□Hose Barb, Multi–Surface Cleaner	2
▽	15	AS20050	(ORB4000000–) Transport Container, Blue, Multi–Surface Cleaner, Small	1
▲	16	PF20131	(ORB4000000–) Valve Coupling, Insert, □□Hose Barb, Multi–Surface Cleaner	2
▽	15	AS20098	(ORB4000000–) Transport Container, Blue, Multi–Surface Cleaner, Small W/ Side Label (Europe)	1
▲	16	PF20131	(ORB4000000–) Valve Coupling, Insert, □□Hose Barb, Multi–Surface Cleaner	2

Fig. 6 – Documentation Group

Ref.	Part No.	Serial Number	Description	Qty.
	DM20036	(ORB3000000–) Operators Manual (EN/ES/FR)	1
	DM20038	(ORB3000000–) Operators Manual, Intl	1
	DM20042	(ORB3000000–) WallChart, os3, MSC–MM200	1
	DM20080	(ORB3000000–) Wall Chart, os3, MSC Only	1
	DM20084	(ORB3000000–) Wall Chart, SatelliteMSC–MM200	1
	DM20085	(ORB3000000–) Wall Chart, Satellite, MSC Only	1
	DM20086	(ORB3000000–) Wall Chart, MSC–MM200 [Os3, Europe]	1
	DM20087	(ORB3000000–) Wall Chart, MSC Only [Os3, Europe]	1
	DM20088	(ORB3000000–) Wall Chart, Satellite MSC–MM200 [Europe]	1
	DM20089	(ORB3000000–) Wall Chart, Satellite MSC Only [Europe]	1
	DM20047	(ORB3000000–) Parts Manual	1
	DM20048	(ORB3000000–) Wall Chart, Cleaning Guide, os3	1
	HL20047	(ORB3000000–) Label, Do Not Drink & Read Manual (Europe)	1



To view, print, order, download the latest Parts manual, other language Operator manuals, and Use and Care Guides (wall charts) visit:

www.tennantco.com/manual